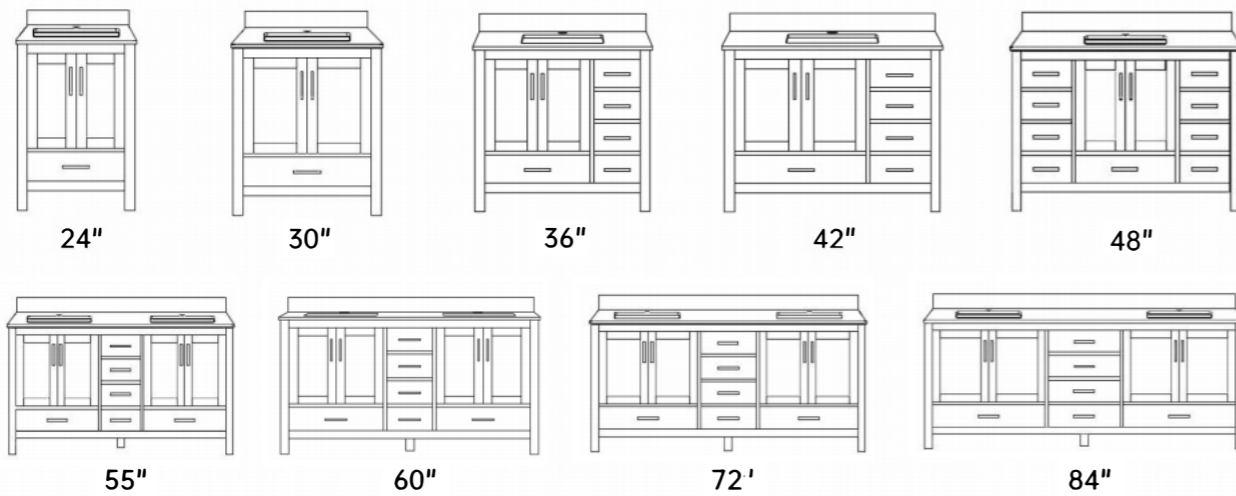


# ASSEMBLY INSTRUCTIONS



Questions, problems, missing parts? Please contact

Because of the time difference, the after-sales line may not be answered promptly. Please leave a message via SMS or email, and we will respond quickly.

## Safety Information

### **DANGER**

- Keep small parts away from children during assembly.
- Failure to follow warnings and cautions could result in serious injury.  
DO NOT use harsh bathroom cleaners or grout cleaners on any natural stone.

### **WARNING**

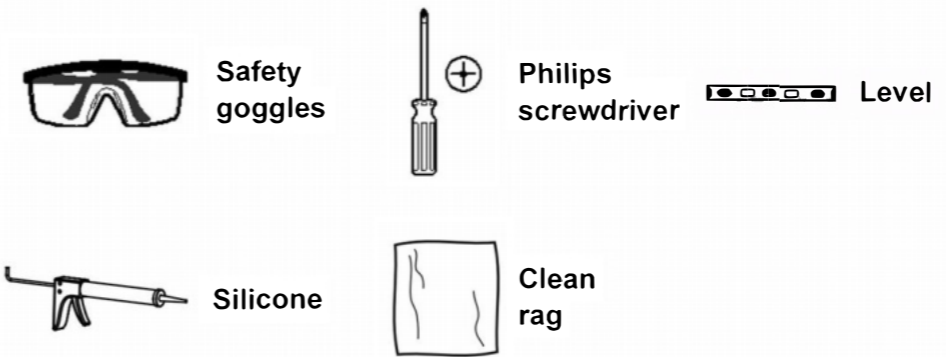
- Read these instructions carefully and keep in a safe place.
- Adult assembly required.  
Do not over tighten connectors (screws, bolts, etc.)  
Overtightening can lead to product damage.  
Small parts may present choking hazard prior to assembly.
- Do not stand, step or climb on unit.

### **Caution**

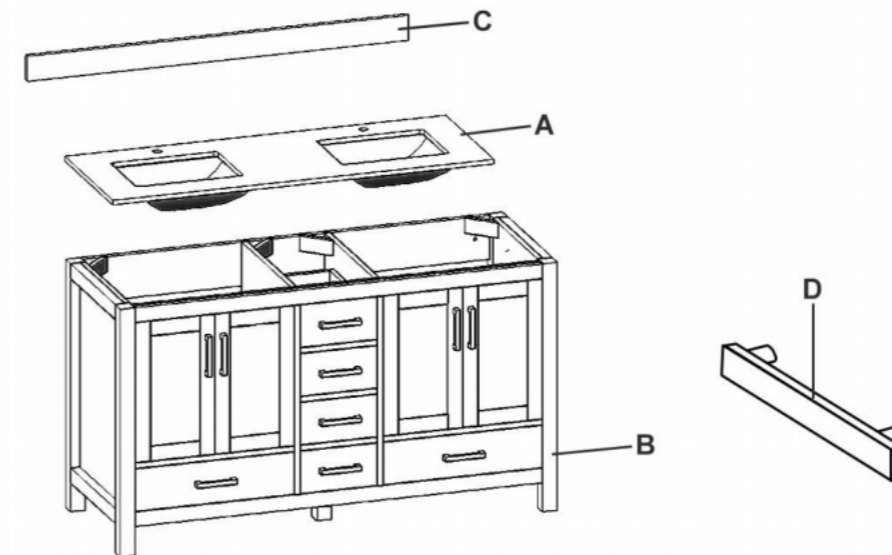
- USE preventative cleaning measures to keep your stone pristine.
- USE sealers according to the product specific directions. Blot spills quickly, and wash with mild soap and warm water. Be sure to check all packing materials carefully for small parts that may have come loose inside the carton during shipment. If parts are missing, contact THE HOME DEPOT to obtain any missing parts.
- Using abrasive cleansers will damage the surface.
- Ensure that the vanity location is accessible to water supply and drain lines. It is suggested that you rough-in the water lines and drain before installing the vanity.

## Pre-assembly (continued)

### TOOLS REQUIRED



### PACKAGE CONTENTS

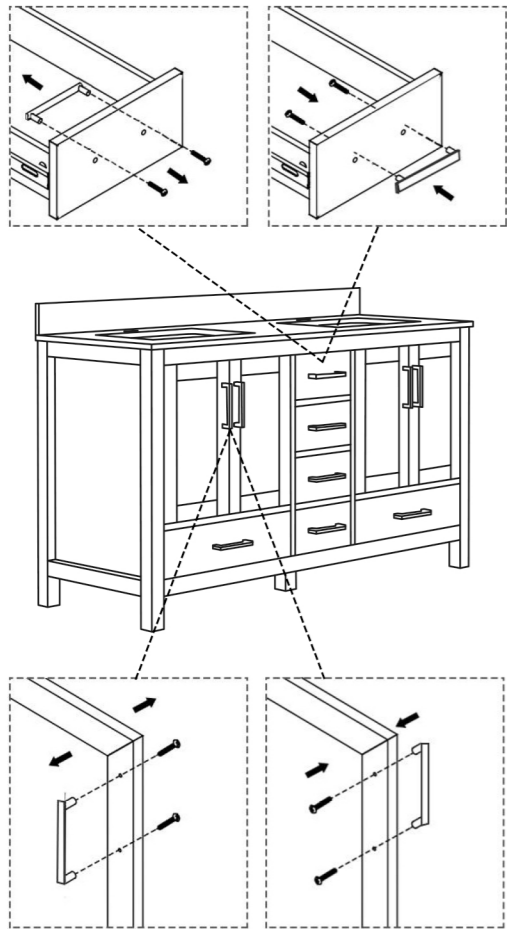


Part	Description
A	Countertop x1
B	Vanity x1
C	Backsplash x1
D	Handle

## Pre-assembly (continued)

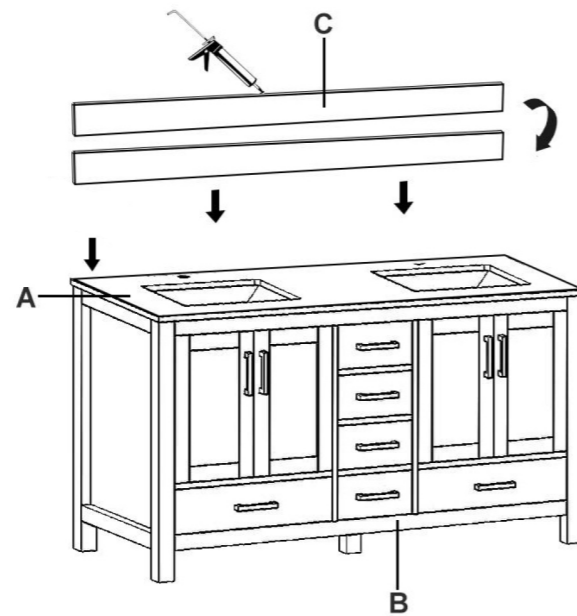
### 1 Installing the handle

- Uninstall the handle (D) located inside the door and the drawer.
- Align the handle (D) with the pre-drilled holes located outside the door and the drawer.
- Secure the handle (D) with bolts.



### 2 Attaching the backsplash

- Wipe off the area on the top of the countertop (A) where the backsplash (C) will sit using a clean rag.
- Apply a line of silicone onto the bottom of the backsplash (C).
- Align the backsplash (C) with the back edge. Slowly lower it onto the countertop (A) and gently press to adhere.



## Assembly (continued)

### 3 Completing the assembly

- Wipe away any seeping silicone from underneath the backsplash (C) with a clean rag.

### 4 Drying

- Allow the vanity to dry for 24 hours before use.

## Maintenance

- Stone countertops (Granite, Marble, etc.) are surprisingly resilient to stains and scratches. However, as a preventative measure, any spills on the stone surfaces should be wiped up within a reasonable amount of time. Do not let liquid sit on the stone overnight. Stones are most prone to staining by oil and acid, so be sure to blot these spills up as soon as they happen. Follow up by cleaning the stone with a mild non-abrasive soap and water.
- In bathrooms specifically, stone tends to attract soap scum, just like man-made tile. Rinse vanity top with clean, hot water frequently.
- The use of sealers is also a powerful preventative measure. Your stone was sealed at the factory, but reapplication is necessary over time. How often is determined by the quality of the sealer used, and the frequency of use. We recommend using a penetrating non-toxic sealer for bath areas, but a food-safe sealer is typically not necessary.
- If stains and scratches do occur, there are many things you can do as a consumer to remove them. Remove oil based stains with acetone, mineral spirits, or ammonia. Organic stains like coffee, tea, or juice can be removed with hydrogen peroxide, mixed with a few drops of ammonia.
- Water spots or rings are the most common problem with bath vanities, and are caused by minerals left behind when water evaporates. These can be removed by buffing the spots gently with 00 gauge steel wool. Likewise, small nicks and scratches can often be removed the same way. Larger scratches, chips, and resilient stains may require professional help. Please contact your local stonemason for details.

## Care and Cleaning

- Liquid spills, such as alcohol, medications, etc should be cleaned up promptly. Some liquids with high-acid content can etch marble surfaces if left for any length of time. Popular products that should be promptly cleaned up are: shaving cream, toothpaste, perfume, cologne, nail polish remover, hair coloring and perm products, shampoo, drain opener, and toilet bowl cleaner.
- Place protective pads on the bottoms of any heavy objects, such as pottery, appliances, or other objects that may scratch the marble surface.
- Avoid abrasive cleaners or rough cleaning pads. If necessary, you can use a soft buffing pad.
- Use coasters under drinking glasses to prevent glass rings on the surface.
- Do not stand on the marble top to fix overhead lights or other items. Do not place extremely heavy items on the top.

## Troubleshooting

Problem	Possible Cause	Correction
Surface or product is not level.	Floor is not level.	If this product has adjustable legs, adjust the legs until the surface is level.
Doors are not properly aligned.	Door hinges not adjusted properly	Adjust the door hinges.